



2023 - EDITION

BIO-SAFETY CABINETS & FUME HOOD SYSTEM

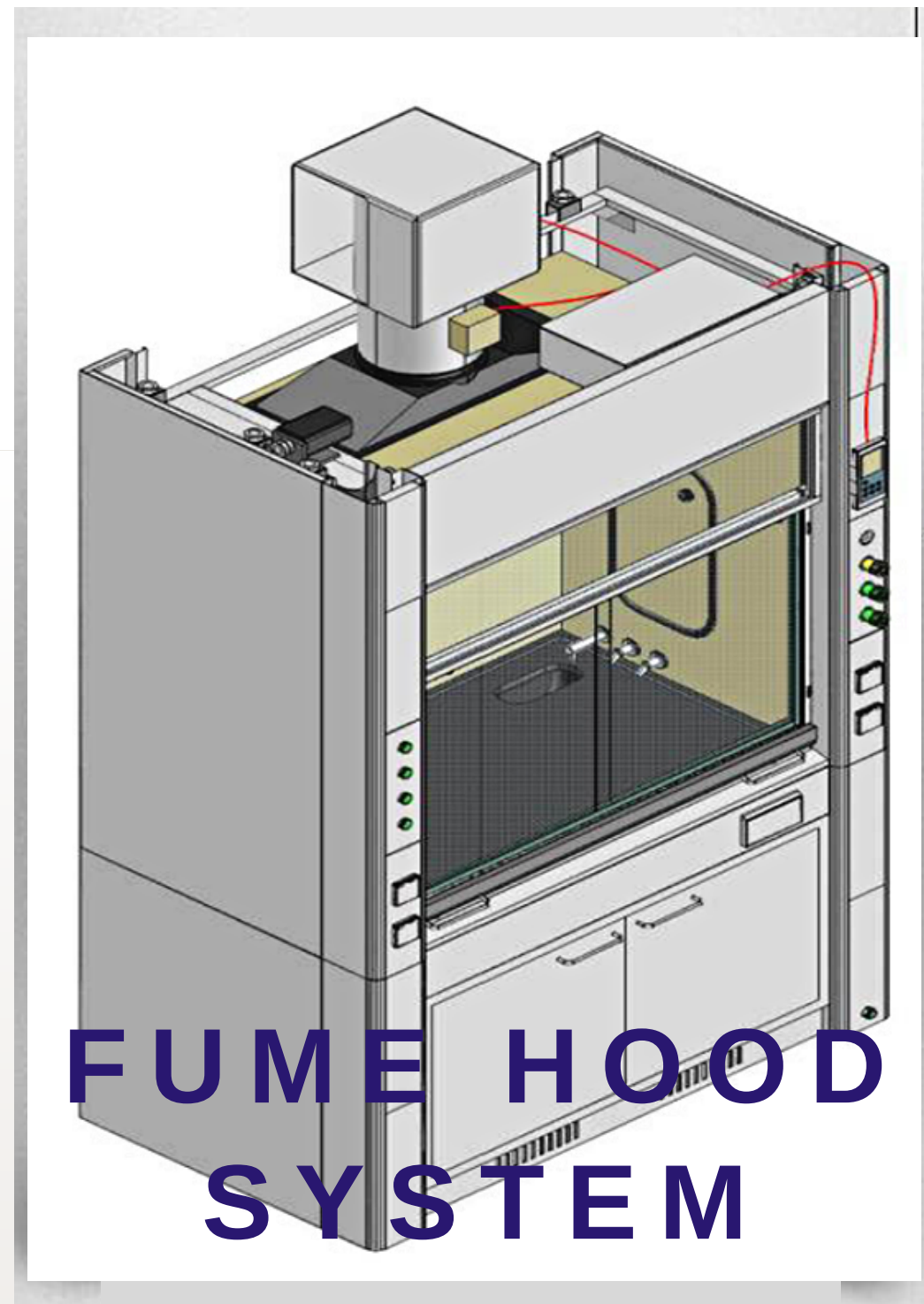


**SEARCHING FOR THE BEST
BIOSAFETY CABINETS AND
FUME HOOD SYSTEMS FOR
YOUR LAB?
LOOK NO FURTHER!**

FUME HOODS AND BIOSAFETY CABINETS ARE TWO TYPES OF LABORATORY EQUIPMENT THAT ARE DESIGNED AND SUPPLIED BY LGT-MEDICAL FOLLOWING INTERNATIONAL SPECIFICATIONS AND STANDARDS TO GUARANTEE THE CREATION OF A HIGHLY PROTECTIVE ENVIRONMENT AND MAKE SURE LABORATORY WORKERS ARE TOTALLY SAFE FROM HAZARDOUS MATERIALS AND CHEMICALS. CHOOSE LGT-MEDICAL, FOR HIGH-QUALITY SAFETY SOLUTIONS CUSTOMIZED TO YOUR LABORATORY REQUIREMENTS.



BIO-SAFETY CABINETS & FUME HOOD SYSTEMS



BIOLOGICAL SAFETY CABINET CLASS II A



✓ REMOTE CONTROL

✓ UV LAMP

✓ WORK ZONE

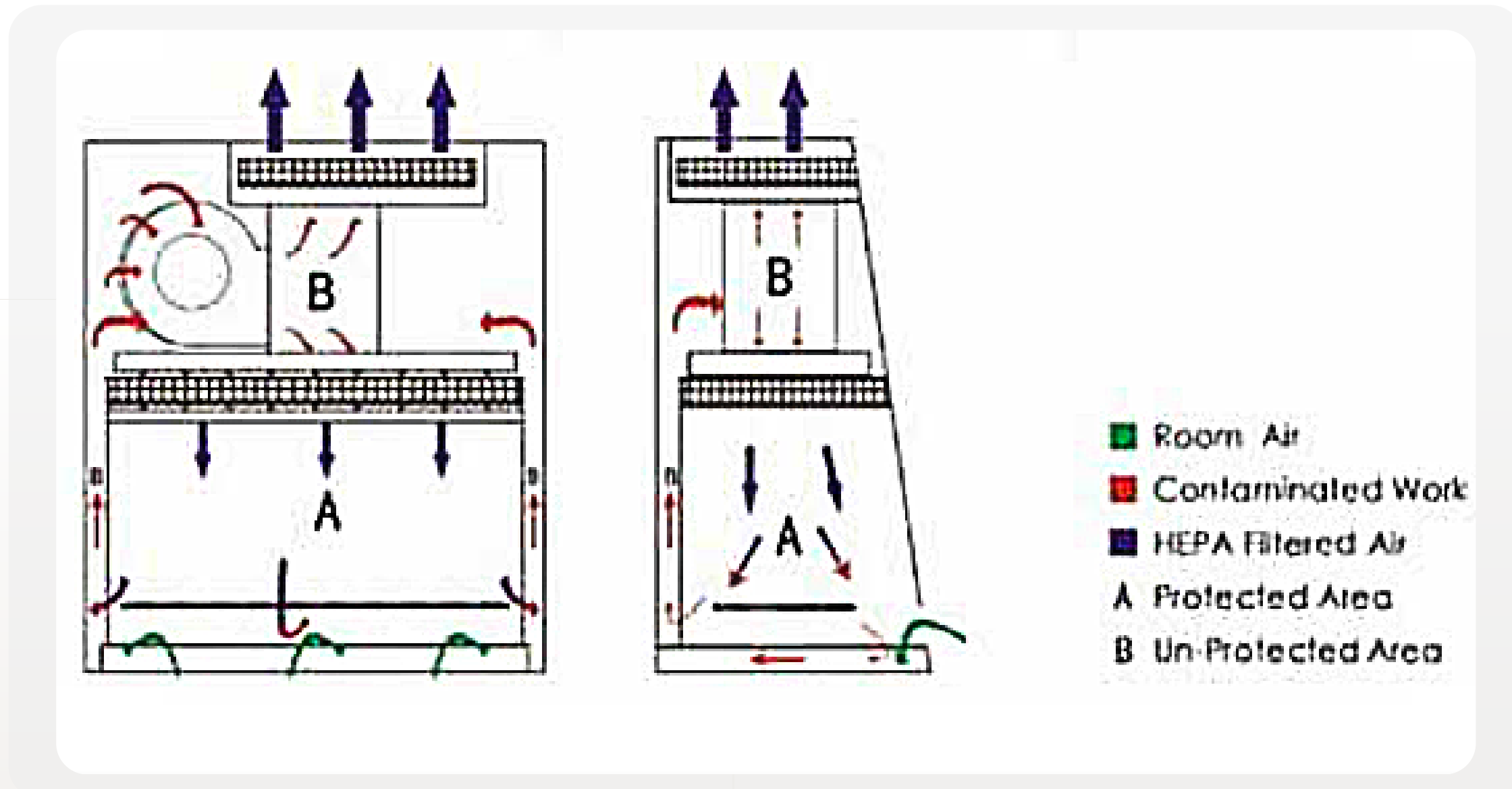
✓ FRONT WINDOW

✓ FOOTMASTER CASTER

✓ FOOT SWITCH

✓ WATERPROOF SOCKET

BIO-SAFETY CABINET CLASS II A - AIRFLOW SYSTEM



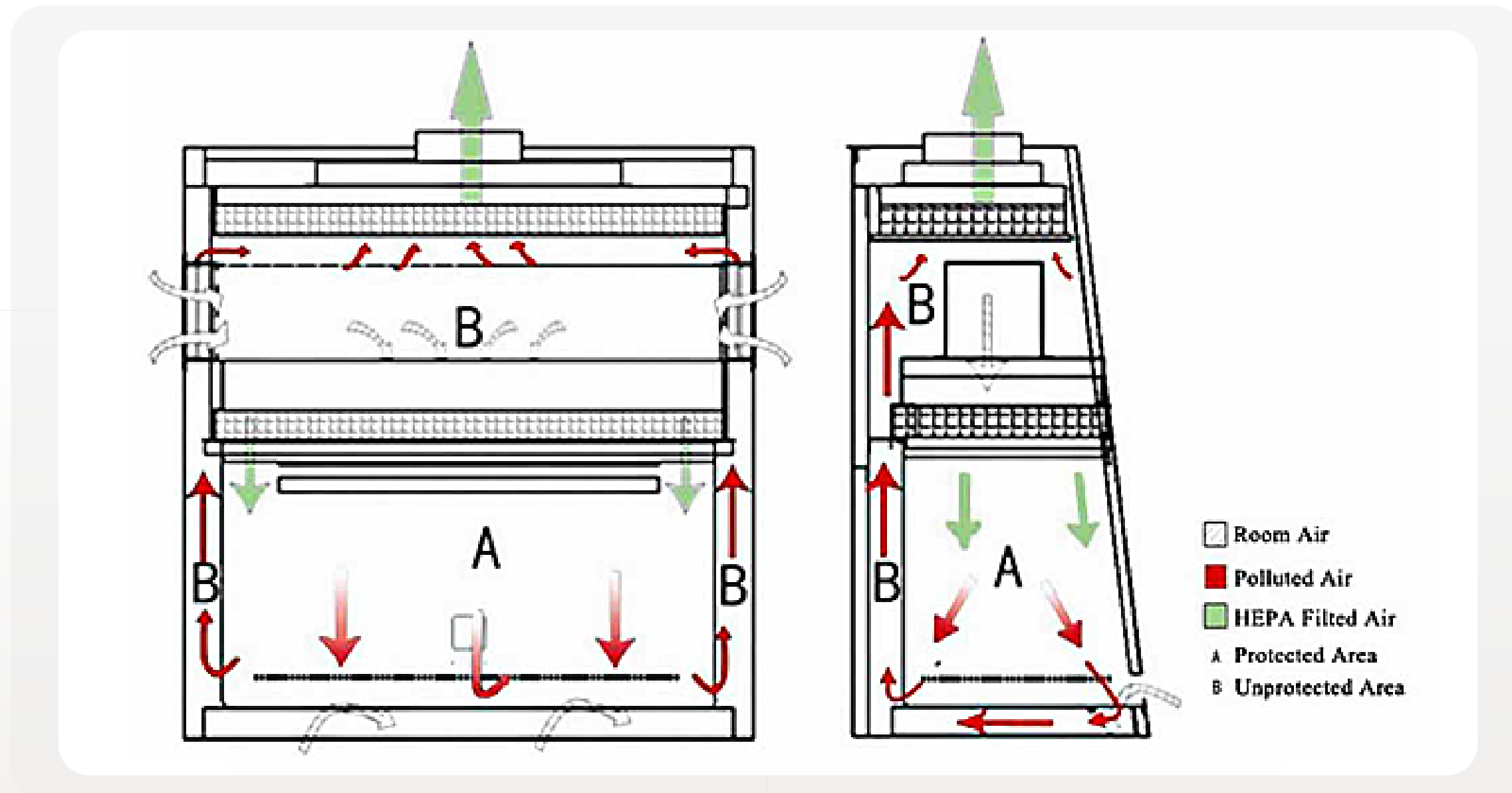
AIRFLOW SYSTEM: 70% AIR RECIRCULATION, 30% AIR EXHAUST.
A2 CABINET IS SUITABLE FOR WORK WITH MICROBIOLOGICAL RESEARCH
IN THE ABSENCE OF VOLATILE OR TOXIC CHEMICALS AND RADIONUCLIDES.

BIOLOGICAL SAFETY CABINET CLASS II B

- ✓ WORK ZONE
- ✓ REMOTE CONTROL
- ✓ UV LAMP
- ✓ FRONT WINDOW
- ✓ FOOTMASTER CASTER
- ✓ FOOT SWITCH
- ✓ EXHAUST BLOWER

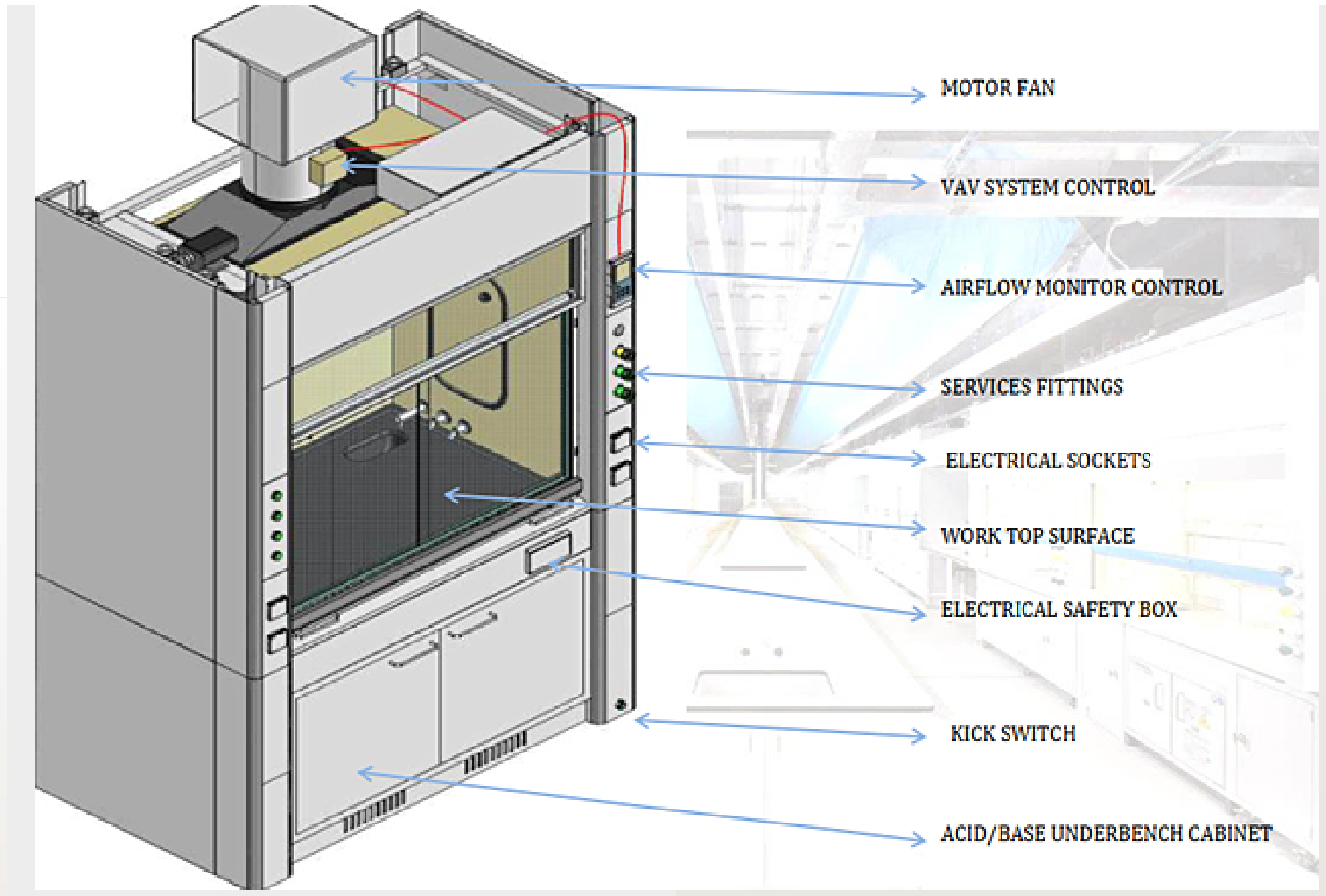


BIO-SAFETY CABINET CLASS II B - AIRFLOW SYSTEM



AIRFLOW SYSTEM: 0 % AIR RECIRCULATION, 100% AIR EXHAUST
B2 BIOLOGICAL SAFETY CABINET HAS A HIGHER CLASS OF SAFETY PROTECTION AND IS
SUITABLE FOR WORK WITH VOLATILE TOXIC CHEMICALS AND RADIONUCLIDES AS
REQUIRED AS ADJUNCTS TO MICROBIOLOGICAL STUDIES.

LGT-MEDICAL FUMEHOOD SYSTEM



GENERAL PURPOSE FUMEHOOD SYSTEM



A **FUMEHOOD SYSTEM** OPERATES ECONOMICALLY WHILE CREATING A SAFE WORK ENVIRONMENT WITHOUT COMPROMISING CONTAINMENT.

LGT-MEDICAL FUMEHOOD SYSTEM WAS DESIGNED TO FIT ON A STANDARD DEPTH THROUGH A STANDARD DOOR OPENING WITH A BASIC COUNTERTOP AND CABINET. THIS MEANS NO DISASSEMBLY AND REASSEMBLY DURING THE INSTALLATION PROCESS AND MAKES LGT-MEDICAL FUME HOOD SYSTEM THE **PERFECT CHOICE** FOR RENOVATION AND NEW CONSTRUCTION.

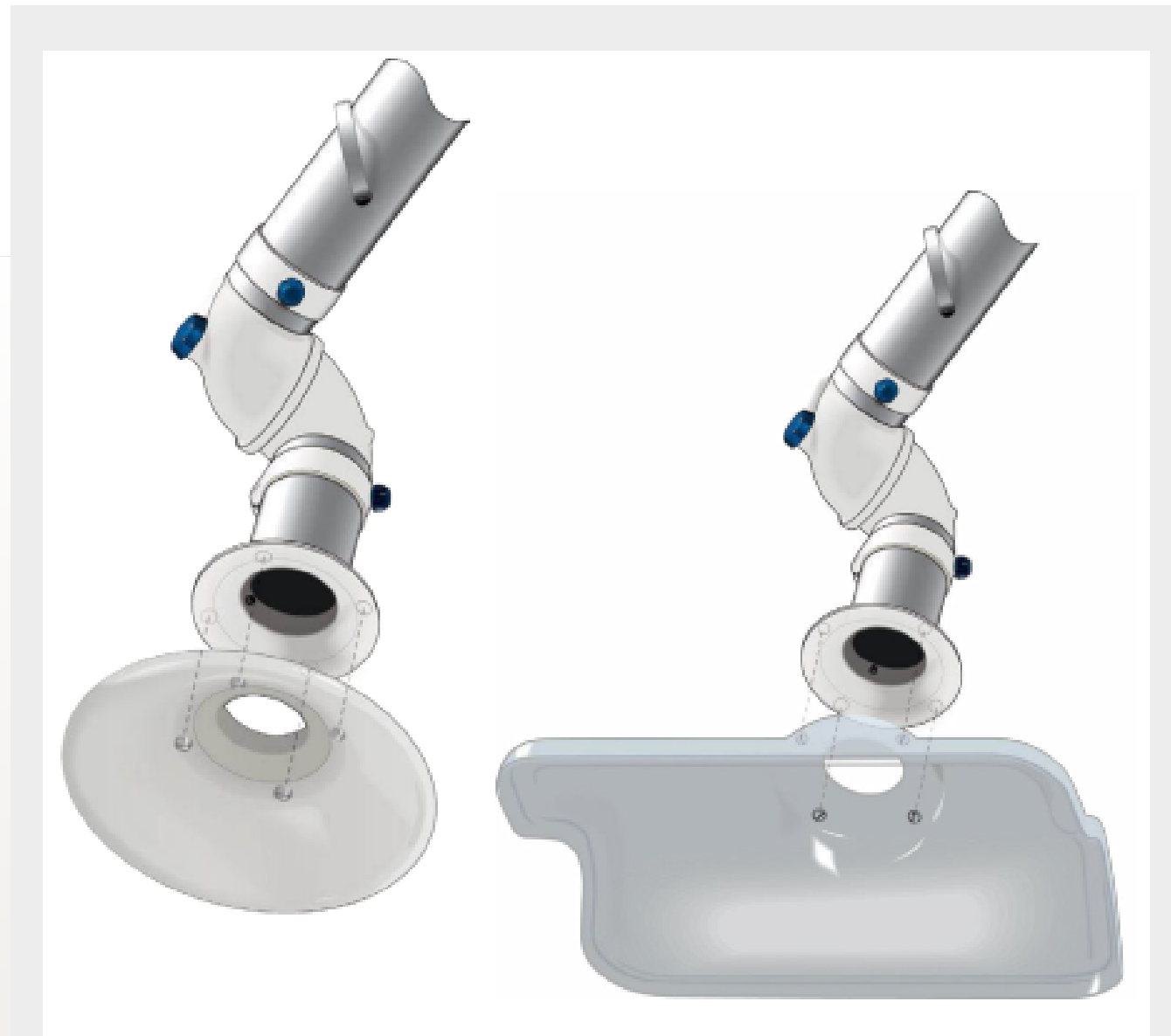
WALK-IN FUMEHOOD SYSTEM

WALK-IN FUME HOOD
SUPPLY EXHAUST SYSTEM FOR
LARGE LABORATORY
INSTRUMENTS AND EQUIPMENT.
MEANWHILE, OPERATORS CAN
WALK INTO THE FUME HOOD TO
OPERATE THE EQUIPMENT
CONVENIENTLY AND
DIRECTLY.

IT IS **WIDELY USED** IN
HOSPITALS, PHARMACEUTICAL,
R&D CENTERS, EDUCATION
INSTITUTIONS, AND
PETROCHEMICAL PLANTS.



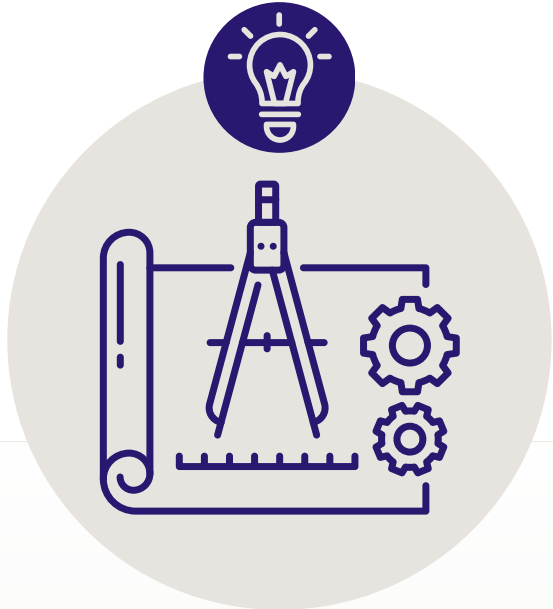
MULTI-PURPOSE EXTRACTION HOOD - BENCH TOP TYPE



BENCHTOP ARMS CAN BE USED IN EVERY TYPE OF ENVIRONMENT, RANGING FROM ASSEMBLY STATIONS, WHERE SOLDER FUMES ARE EXTRACTED, TO LABORATORIES, WHERE PROTECTION AGAINST HIGHLY CORROSIVE OR NOXIOUS GASES IS VITAL.

A MULTI-PURPOSE HOOD CAN OPTIONALLY BE ADDED TO THE ARM, SO THE HOOD CAN BE EASILY ANGLED TO SUIT ANY EXTRACTION SITUATION.

LGT-MEDICAL SERVICES



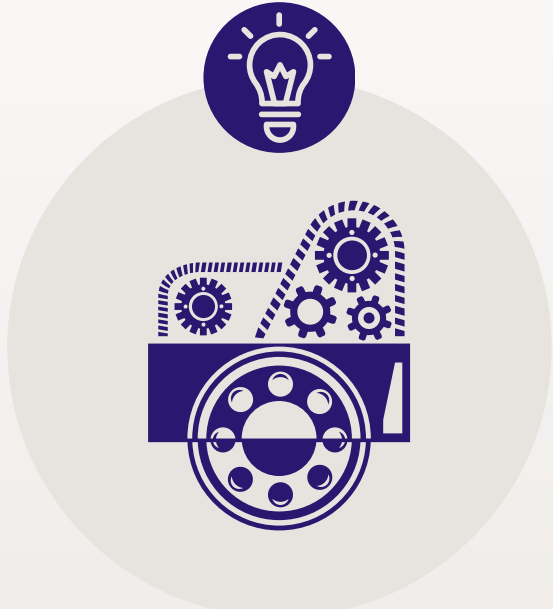
PLANNING



DESIGNING



ENGINEERING



MANUFACTURING



SUPPLYING



INSTALLATIONS

GALLERY



GALLERY



GALLERY



FROM START TO FINISH

AT LGT-MEDICAL, OUR KNOWLEDGE AND SERVICE ARE MANUFACTURED INTO OUR PRODUCTS. BACKED BY OUR INDUSTRY-LEADING PARTNERS, RESOURCES, AND WARRANTY, YOU CAN BE ASSURED YOU ARE GETTING THE BEST QUALITY HOOD FOR YOUR NEXT PROJECT.

WHETHER YOUR PROJECT IS BRAND NEW OR RENOVATING AN EXCITING SPACE, LGT-MEDICAL HAS GOT YOU COVERED, FROM YOUR EARLY STEP PLANNING, ENGINEERING, AND DESIGNING YOUR PROJECT TILL THE SUPPLYING AND INSTALLATION PHASE.



LIFE GALAXIES
M E D I C A L

VISIT WWW.LGT-MEDICAL.COM TO EXPLORE MORE



Rami@LGT-Medical.com



+966548318107